

1800

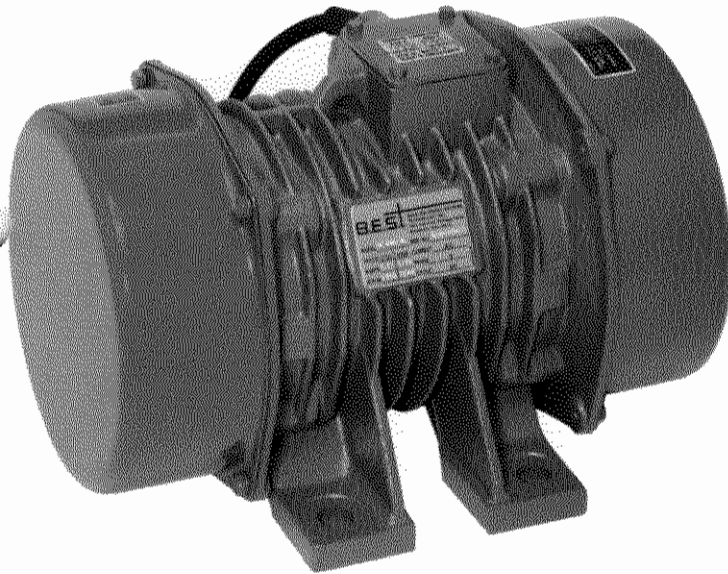
RPM

4-Pole, 230/460 Volt

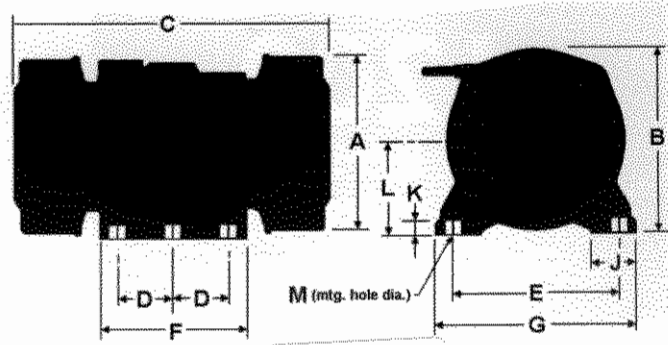
3-Phase, 60 Cycle

Quick Facts

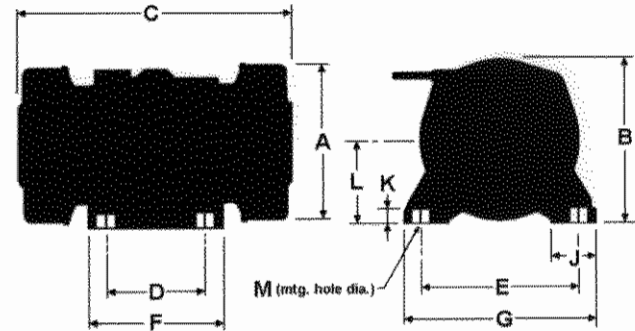
- For Bins and Hoppers Requiring Greater Amplitude
- For Vibrating Tables, Feeders and Screeners
- Continuous Duty Rated at Maximum Force
- 1/10 HP to 10 HP Size Range



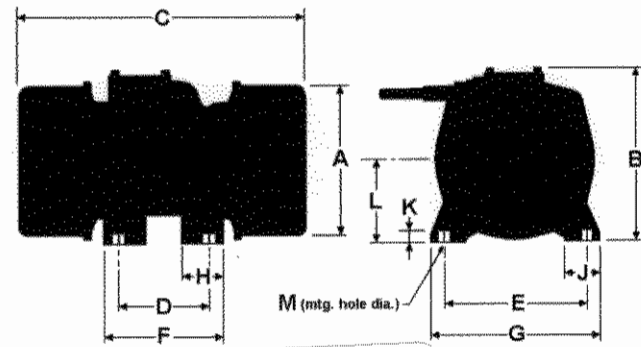
MODEL BE-1980-4 SHOWN ABOVE



Drawing C



Drawing B



Drawing A

MODEL	H.P.	MAX FORCE (lbs)+	DRWG. REF.	DIMENSIONS (inches)											FULL LOAD AMPS AT		WT. (lbs.)	UN-BALANCE (inch-lbs)	
				A	B	C	D	E	F	G	H	J	K	L	M	230v.			460v.
BE-330-4	1/10	330	A	5-5/16	6-1/2	9-1/16	3-5/32	4-23/32	4-5/32	5-23/32	1-1/2	1-3/16	3/8	2-31/32	13/32	0.50	0.33	25	3.82
BE-660-4	1/6	660	A	6-1/8	7-3/32	10-5/8	3-5/32	5-29/32	4-11/32	7-3/32	1-19/32	1-3/8	13/32	3-5/16	15/32	0.80	0.52	35	7.63
BE-1320-4	1/3	1,320	A	6-11/16	7-11/16	12-19/32	3-15/16	6-19/64	5-1/8	7-1/2	1-25/32	1-19/32	15/32	3-5/8	9/16	1.2	0.70	50	15.3
BE-1980-4	1/2	1,980	A	7-1/2	8-9/32	13-3/8	4-21/64	7-3/32	5-29/32	8-21/32	2-3/16	1-31/32	19/32	4-1/32	23/32	1.7	0.99	70	22.9
BE-2640-4	4/5	2,640	A	8-7/8	9-15/32	14-3/16	5-33/64	8-21/32	7-1/2	10-5/8	2-9/16	2-3/8	23/32	4-23/32	13/16	2.5	1.4	95	30.5
BE-3740-4	1-1/10	3,740	A	9-21/32	10-1/4	16-17/32	5-33/64	9-29/64	7-7/8	11-13/16	2-31/32	2-3/4	13/16	5-1/8	1-1/32	3.0	1.6	125	43.2
BE-5280-4	1-1/2	5,280	A	10-7/16	11-1/32	18-29/32	5-29/32	10-15/64	8-9/32	12-19/32	3-5/32	2-3/4	13/16	5-19/32	1-1/32	3.8	2.0	165	61.0
BE-7480-4	2	7,480	A	11-5/8	12-19/32	20-7/8	6-11/16	12-13/64	9-15/32	14-31/32	3-3/4	3-11/32	1-1/8	6-7/32	1-5/16	5.0	2.6	245	86.5
BE-11440-4	3	11,440	B	13-19/32	14-3/8	23-7/32	8-21/32	13-25/32	11-13/16	16-15/16	---	3-15/16	1-5/16	7-9/32	1-17/32	7.7	4.0	375	132
BE-16500-4	5	16,500	C	15-9/16	16-11/32	24-13/16	4-59/64	14-31/32	13-1/32	18-1/8	---	4-5/32	1-5/16	8-9/32	1-17/32	12.3	6.2	495	191
BE-18480-4	7-1/2	18,480	C	15-9/16	16-11/32	26-3/8	4-59/64	14-31/32	13-1/32	18-1/8	---	4-5/32	1-5/16	8-9/32	1-17/32	18.2	9.4	565	214
BE-24200-4	10	24,200	C	18-5/16	18-23/32	28-3/4	5-33/64	17-21/64	14-9/16	20-7/8	---	4-15/16	1-1/2	9-15/32	1-25/32	25	13	805	280

- 1800 RPM motors are dual voltage, either 230 volt or 460 volt 3-phase. Specify voltage when ordering. 575 volt available on special order.
- All 1800 RPM motors are rated for continuous duty at the maximum force setting.

- 50 cycle motors are available for all 1800 RPM motors. Consult factory for pricing and availability.
- + Factory preset at 100% of maximum force. All units are totally adjustable by a simple setting change on the eccentric weights.