

3600

RPM

2-Pole, 230/460 Volt

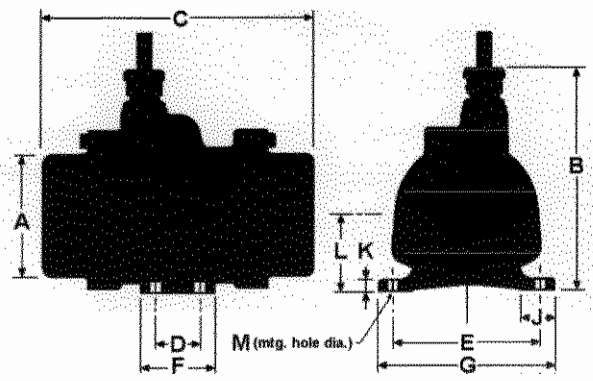
3-Phase, 60 Cycle

Quick Facts

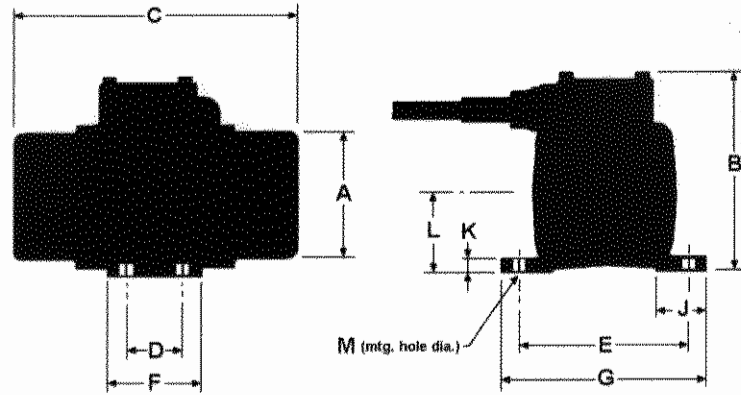
- Dust Tight Design
- Ideal for Bins, Hoppers and Chutes
- High Force to Motor Weight Ratio
- Heavy Duty Design for Mounting in any Position
- Ideal for Concrete and Refractory Applications



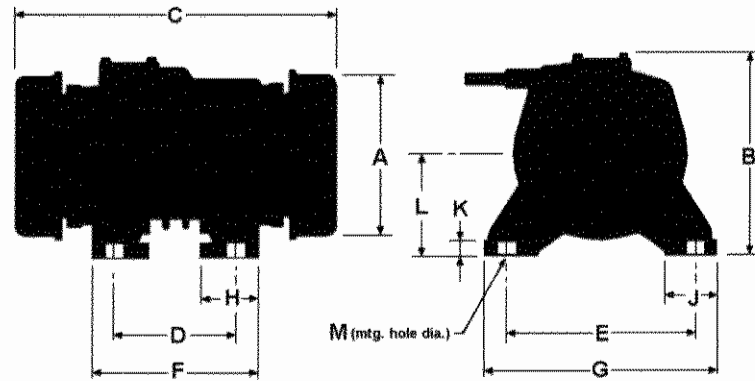
MODEL BE-770-2 SHOWN ABOVE



Drawing A



Drawing B



Drawing C

MODEL	H.P.	MAX FORCE (lbs)+	DRWG. REF.	DIMENSIONS (inches)											FULL LOAD AMPS AT		WT. (lbs.)	UN-BALANCE (inch-lbs)	
				A	B	C	D	E	F	G	H	J	K	L	M	230v.			460v.
BE-110-2*	1/20	110	A	3-11/32	5-29/32	7-9/32	13/16	3-15/16	1-31/32	4-23/32	—	29/32	5/16	2-1/16	9/32	0.33	0.15	10	0.32
BE-220-2	1/10	220	B	3-9/16	5-23/32	7-1/2	1-37/64	4-23/32	2-9/16	5-23/32	—	1-3/8	3/8	2-7/32	13/32	0.41	0.25	15	0.64
BE-440-2	1/5	440	C	4-5/32	6-5/16	8-15/32	3-5/32	5-1/8	4-11/32	6-5/16	1-19/32	1-15/32	13/32	2-7/16	15/32	0.62	0.35	20	1.27
BE-770-2	1/3	770	C	4-11/32	6-29/32	10-7/16	3-35/64	5-29/32	4-23/32	7-3/32	1-25/32	1-19/32	15/32	2-15/16	9/16	1.1	0.6	35	2.22
BE-1320-2	1/2	1,320	C	4-15/16	7-11/16	11-13/16	4-21/64	7-31/64	5-29/32	9-1/16	2-3/16	1-31/32	19/32	3-5/16	23/32	1.6	0.9	55	3.82
BE-2200-2	1	2,200	C	6-11/16	8-9/32	13-25/32	4-23/32	8-21/32	6-11/16	10-5/8	2-9/16	1-3/8	23/32	3-5/8	13/16	2.7	1.4	78	6.36
BE-3520-2	1-1/2	3,520	C	6-11/16	10-1/4	16-17/32	5-33/64	9-29/64	7-7/8	11-13/16	2-31/32	2-3/4	13/16	5-1/16	1-1/32	4.0	2.0	110	10.20
BE-5060-2	2-1/4	5,060	C	7-1/2	11-1/32	17-23/32	5-29/32	10-15/64	8-9/32	12-19/32	3-5/32	2-3/4	13/16	5-19/32	1-1/32	5.6	2.9	140	14.60
BE-6600-2	3	6,600	C	8-7/8	12-19/32	19-11/16	6-11/16	12-13/64	9-7/16	14-31/32	3-3/4	3-11/32	1-1/8	6-7/32	1-5/16	7.0	3.6	210	19.10
BE-8800-2	4	8,800	C	8-7/8	14-19/32	22-1/16	8-21/32	13-25/32	11-13/16	16-15/16	—	3-15/16	1-5/16	7-9/32	1-17/32	9.8	4.9	290	25.40

- 3600 RPM motors are dual voltage, either 230 volt or 460 volt 3-phase. Specify voltage when ordering. 575 volt available on special order.
- All 3600 RPM motors are rated for continuous duty at the maximum force setting.
- 50 cycle motors are available for all 3600 RPM motors. Consult factory for pricing and availability.

- + Factory preset at 100% of maximum force. All units are totally adjustable by a simple setting change on the eccentric weights.
- * Available in 460 volt only.