

3600

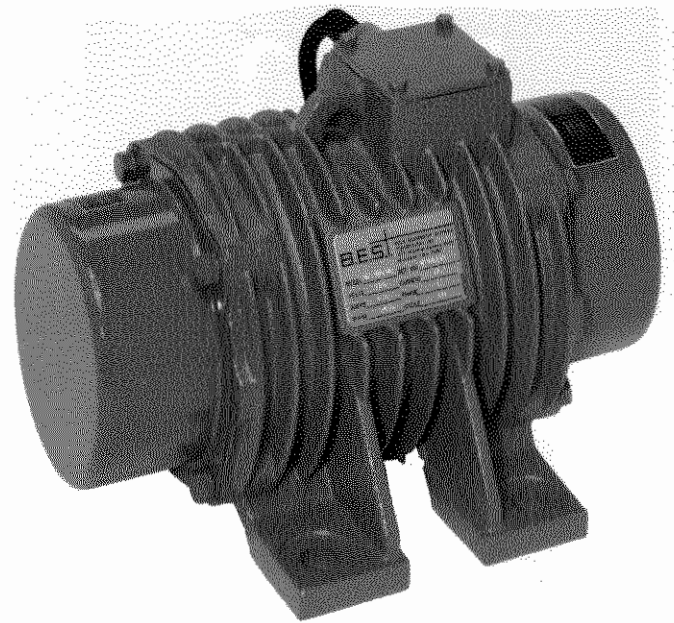
RPM

Single Phase

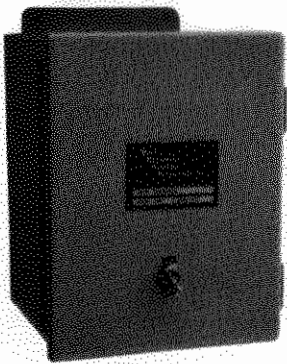
115/1/60

Quick Facts

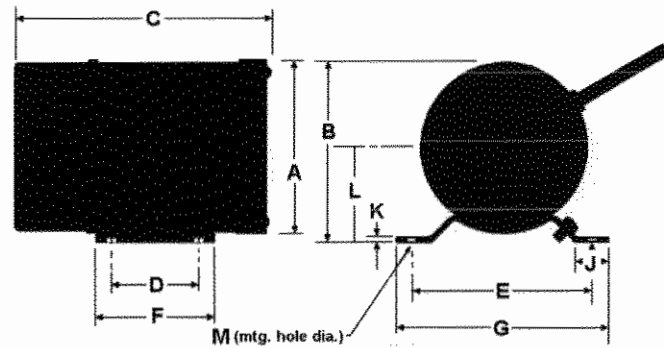
- Operates Off Standard 115/1/60 Power
- Continuous Duty Rated
- Totally Enclosed, Dust Tight Housing
- Capacitor Starter Supplied with Each Unit
- Quiet Operating, Less Than 60 dba
- 0-100% Force Adjustment



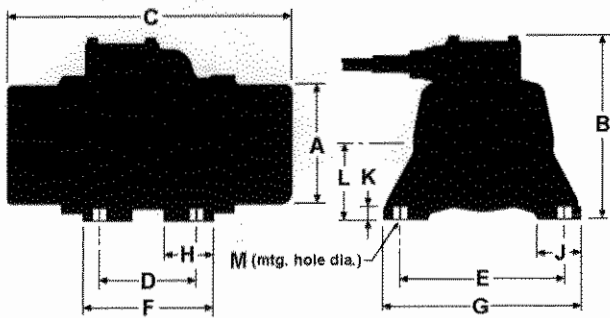
MODEL BES-440-2 SHOWN ABOVE



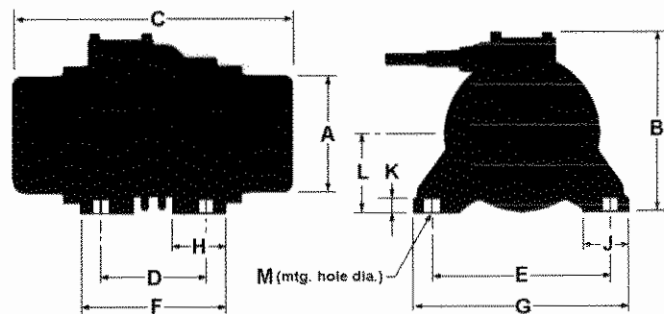
A capacitor starter is supplied with each 115 volt/1p./60c. unit.



Drawing A



Drawing B



Drawing C

MODEL	H.P.	MAX FORCE (lbs)	DRWG. REF.	DIMENSIONS (inches)											FULL LOAD AMPS AT 115v.	WT. (lbs.)	UN-BALANCE (inch-lbs)	
				A	B	C	D	E	F	G	H	J	K	L				M
BES-30-2	1/50	30	A	3-11/32	3-7/16	5-5/16	1-47/64	3-35/64	2-3/8	4-7/32	---	23/32	3/32	1-25/32	11/32	0.39	6	0.100
BES-110-2	1/25	110	B	3-9/16	5-23/32	7-1/2	1-37/64	4-23/32	2-9/16	5-23/32	---	1-3/8	3/8	2-7/32	13/32	0.53	14	0.318
BES-220-2	1/12	220	B	4-5/32	6-5/16	8-15/32	3-5/32	5-1/8	4-11/32	6-5/16	1-19/32	1-15/32	13/32	2-5/8	15/32	1.2	22	0.636
BES-440-2	1/6	440	B	4-11/32	6-29/32	9-15/32	3-35/64	5-29/32	4-23/32	7-3/32	1-25/32	1-19/32	15/32	2-13/16	9/16	1.9	30	1.27
BES-770-2	1/3	770	C	4-15/16	7-11/16	11-13/16	4-21/64	7-31/64	5-29/32	9-1/16	2-3/16	2-31/32	19/32	3-5/16	23/32	2.9	45	2.22

• Models BES-110 through BES-770 are factory preset at 100% of maximum force. They are totally adjustable by a simple setting change on the eccentric weights. Force output for the BES-30 is not adjustable.

• Capacitor and overload protection for the BES-110 through BES-770 are provided in a NEMA 12 enclosure, supplied with each unit. Model BES-30 has the capacitor built into the motor itself.